

# SPC.12

## Stainless Steel IP65

### Industrial touch PC for food industry

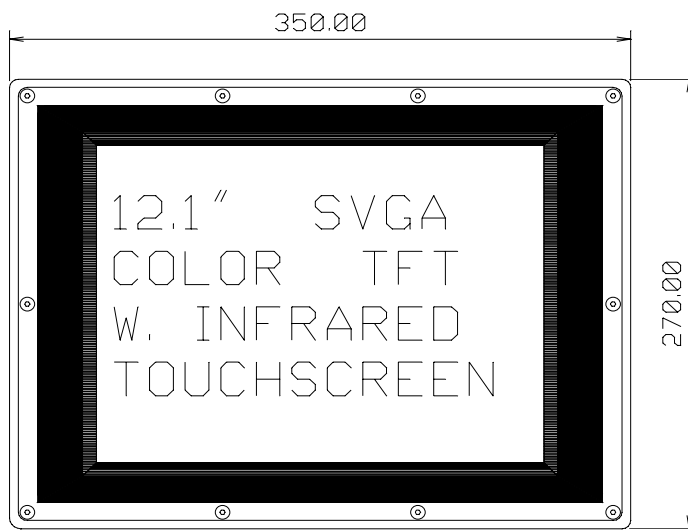
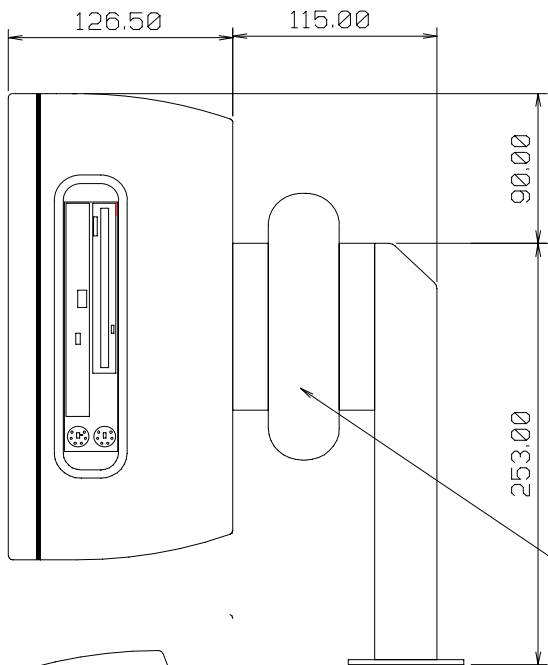


#### GENERAL INFO:

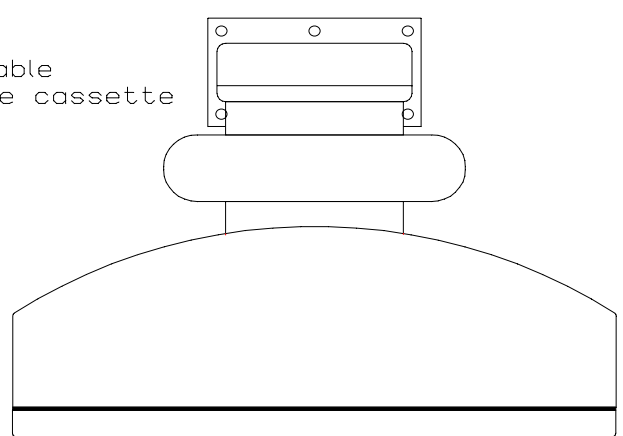
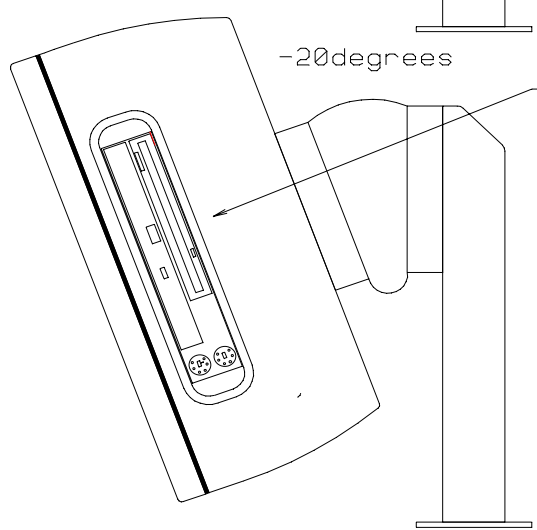
The SPC is developed especially to withstand wet environments such as in **Meat- and Fishindustries**, where cleaning is essential to the process. In these days, where **veterinarian control** and **food processing** is getting more and more computerized, a rugged and compact unit, with a maximum of flexibility, is needed. Due to the **PC platform** and the **Ethernet**, running either under **DOS** or **Windows**, the **SPC.12** is adaptable to almost any system and software on the market.

#### STANDARD SPECIFICATIONS:

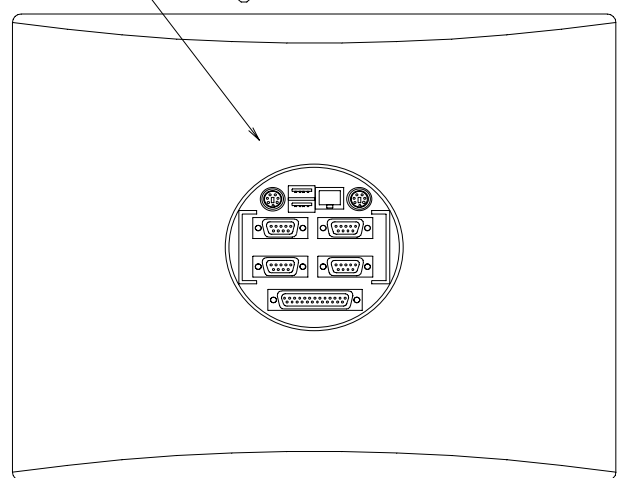
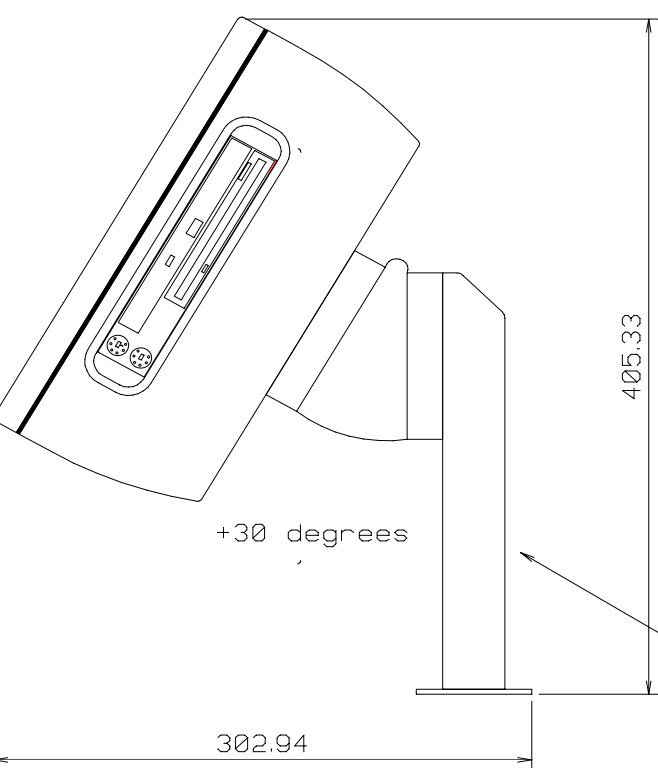
<b>CPU:</b>	Pentium 266 MMX. <b>Option:</b> P433 Celeron or PIII up to 700 Mhz
<b>COOLING:</b>	Solid state with no airflow(no filter service).
<b>DRAM:</b>	64 MB up to 256 MB.
<b>FIXED DISK:</b>	2.5" Harddisk up to 60 GB. <b>Option:</b> Disk On Chip up to 288 MB.
<b>DISC DRIVES:</b>	Exchangeable diskdrive cassette, located behind fully integrated "snap" cover, includes: 2.5" hard disk(up to 60 GB), CD-RW drive, 3.5" floppy and keyboard / mouse connectors.
<b>DISPLAY:</b>	12.1" SVGA Highbright colour TFT(sun-readable).
<b>TOUCHSCREEN:</b>	Infrared: res. 65x87. Hardcoated, smoothly formed frontglass for easy cleaning.
<b>INPUT/OUTPUT:</b>	Keyboard/mouse PS2. Custom output in 25pin D-sub, Ethernet, RS232, USB etc.
<b>POWERSUPPLY:</b>	24VDC(12-38VDC). <b>Max. consumption:</b> 40W.
<b>HOUSING:</b>	Stainless steel IP65, with a smooth surface and no sharp edges.
<b>MOUNTING:</b>	PC connectors hidden in 100 mm rubber flexhose mounting device (IP65) with tilt function +30 -20 degrees. Stainless steel mounting stand w. rubber gasket.
<b>WATER/DUST:</b>	IP65. Housing is fully sealed; withstanding damp-cleaning and chemicals.
<b>TEMPERATURE:</b>	-10 to +40 degrees Celsius. Short-term: +70 degrees possible.



Rubber flexhose



- 4 RS232,
- 1 LPT1
- Ethernet
- USB x 2
- Optional:
- Keyb./mouse



Stainless steel mountingstand