

812 MULTI ENCODER

The TD812 is a unique but simple solution on nearly all Your Keyboard and/or display-interfacing problems.

The wide range of serial interfaces and PCAT keyboard compatibility, combined with the 40 pin programmable I/O connector incl. standard drivers for keymatrix scanning, keyclick, function LED's and the most common LCD modules, enables You to design any keyboard/display solution to almost any system, within a few minutes.

The internal menu program guides You through the programming of any function even without previous knowledge to software.

The utility disk software enables You to test any function and even save Your setup to disk file for later download to identical systems.

A special feature makes it possible to add Your own setup to TD812 default Eprom file for You to "burn" Your own default Eprom.

4 Layer PCB with separate groundplane and filtering for best EMC protection.

Onboard serial drivers:
RS232 +- 10V, with handshakes.
RS422 differential, full duplex.
RS485 differential, addressable partyline

FULL SIZE !

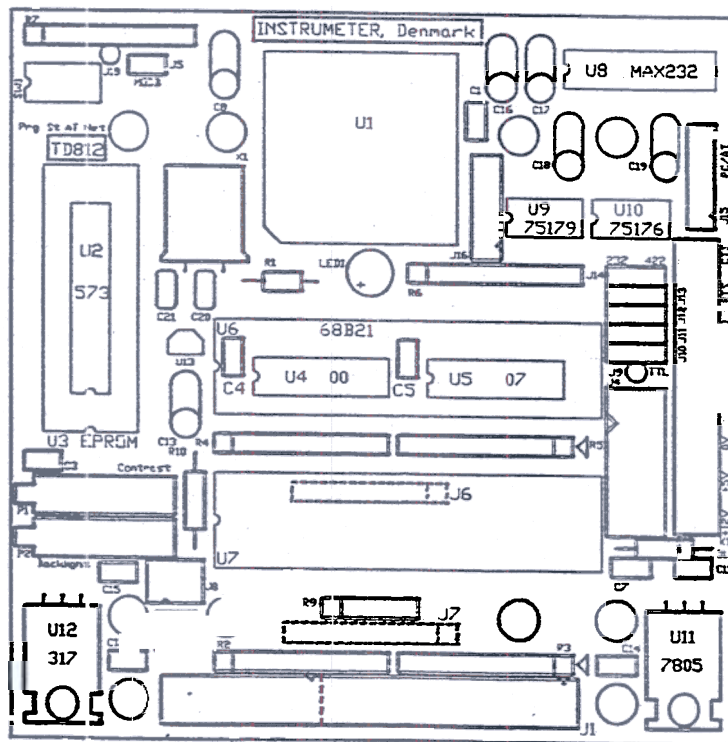
"SW" 1,2,3,4.
Setup switches

256K-Eprom with default setup and menu oriented software for easy programming.

P1,
LCD contrast adjustment.

P2, output powersource adjustment.

Powersource regulator for LCD backlighting and output LEDs



J15, TC.AT cable to PC AT Keyboardport

J16, TC.AUX cable from PC AT Keyboard.

J14, Jumperfield for switching serial TTL, RS232, RS422/485.

1.5mm screwterminals for serial com. and powersupply.

J4, 10 pin flatcable connector for TC.COM cable for PC AT compatible D9 connection.

J1, Multifunctional 40 pin I/O connector, programmable pinout and compatible with all standard LCD modules.

Onboard power regulator and noise filtration.

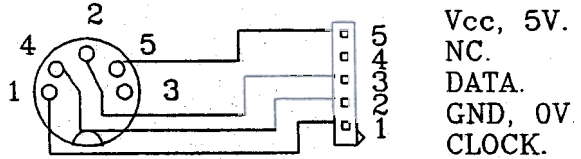
SPECIAL FEATURES

- * Fully programmable keymatrix, upto 96 keys.
- * Keymacro, for ASCII strings or PC-AT keyfunctions on any key.
- * Internal "SHIFT" mode for second layer of keys.
- * Easy menubased setup of LCD drivers from 1x16 to 4x40 characters.
- * Upto 36 LED output, controlled by ASCII codes, incl. flashfunktion.
- * AUXILARY keyboard input port for connection of standard PC-AT for "transparent" use and for easy "keycopying" during programming.
- * Pincompatible and backside mountable for standard STORM keypads.

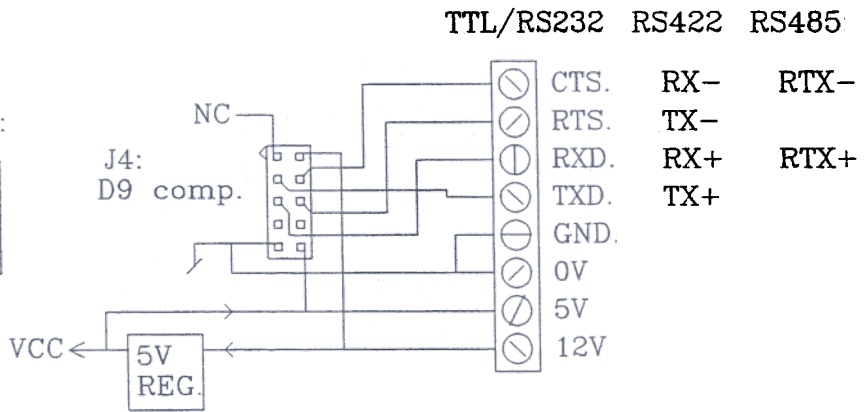
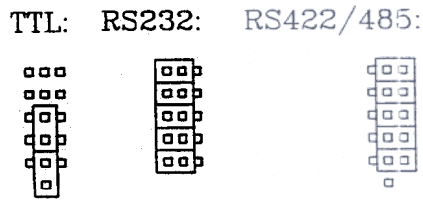
SPECIFICATIONS:

- * Operational temperature: -10 - 70 degree.
 - * Powersupply: 7,5 - 12Vdc 160mA unregulated, or
5Vdc 160mA +- 100mV.
 - * TTL: For protected area only, 5V CMOS I/O.
Max. 2 m. of shielded cable.
 - * RS232: For non industrial area. Max 15 meters of cable.
Output = +- 10V, Input = +- 3V.
 - * RS422: TX, +/- 50mA differential output.
RX, +/- 200mV differential input.
Max. cablelength 1200 meters in 4 wire twisted pair for
full duplex point to point communication.
- RS485: Specifications as RS422.
Max. cablelength 1200 meters in 2 wire twisted pair for
half duplex partyline communication (TDI-NET).

Frontview of PCAT keyboardconnector (female part) and TD812 PCAT output connector J15 and AUX input J16.



J14 jumperfield:

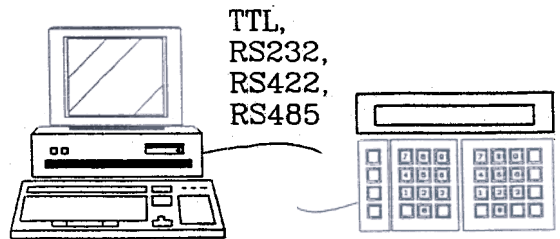
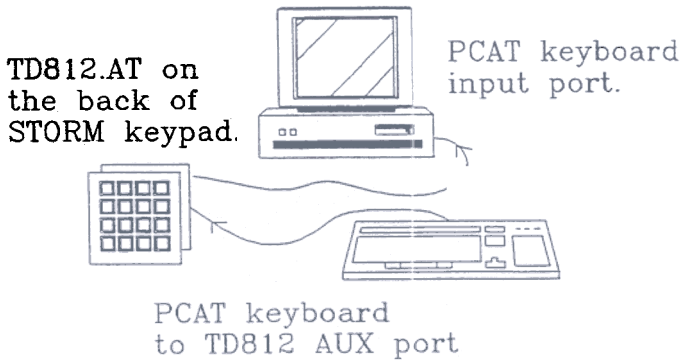


NOTE: See "HELP" in TD812 utility software for default and custom connections of keyboards, LED's and displays to 40 pin J1:

ORDER:

" TD812.AT " for PCAT keyboard port.

ORDER: " TD812.ASC " for Serial communication with multible keys, LED's and LCD modules for quick and easy installation.



LINDE ALLE 29 - DK-2850 NÆRUM - TLF. 45 50 58 10 - TELEFAX 45 50 58 11